

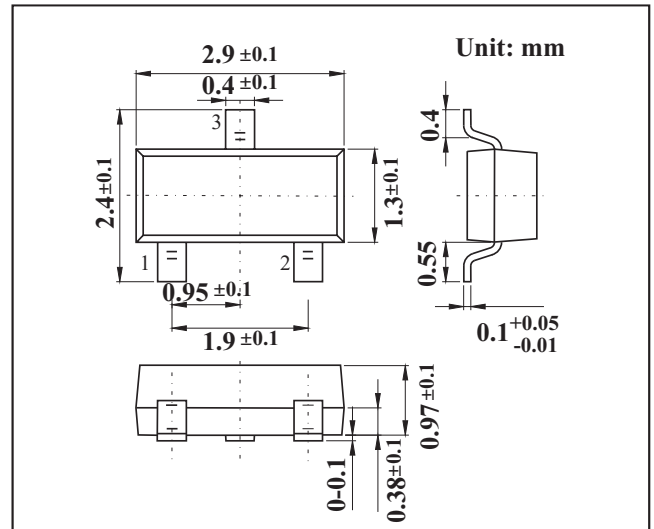
SOT-23 Small Signal Switching Diodes

FEATURES

- High speed switching: $t_{rr}=4.0\text{ns}(\text{max})$
- Low capacitance: $C_T=2.5\text{pF}(\text{typ.})$

MECHANICAL DATA

- Case: SOT-23 Small Outline Plastic Package
- Polarity: Color band denotes cathode end
- Mounting Position: Any



MAXIMUM RATINGS AND CHARACTERISTICS

@ 25°C Ambient Temperature (unless otherwise noted)

Parameter	Symbol	Limits		Unit
		MMBD2835	MMBD2836	
Non-Repetitive Peak reverse voltage	V_{RM}	35	75	V
DC Reverse Voltage	V_R	30	50	V
Average rectified output Current	I_o	100		mA
Power Dissipation	P_d	300		mW
Thermal Resistance, Junction to Ambient	$R_{\theta JA}$	417		°C/W
Junction temperature	T_J	150		°C
Storage temperature	T_{STG}	-55 to +150		°C

Electrical Specification ($T_A=25^\circ\text{C}$ unless otherwise specified)

Parameter	Symbol	Min.	Typ.	Max.	Unit	Conditions
Reverse Breandown Voltage	$V_{(BR)}$	35				$I_R=100\mu\text{A}$ MMBD2835
	$V_{(BR)}$	75				$I_R=100\mu\text{A}$ MMBD2836
Forward voltage	V_{F1}		0.72	1.0	V	$I_R=10\text{mA}$
	V_{F2}		0.88	1.1		$I_R=50\text{mA}$
	V_{F3}		1.0	1.2	V	$I_F=100\text{mA}$
Reverse current	I_R			0.1	μA	$V_R=30\text{V}$ MMBD2835
	I_R			0.1	μA	$V_R=50\text{V}$ MMBD2836
Capacitance between terminals	C_T			4	pF	$V_R=0, f=1\text{MHz}$
Reverse Recovery Time	t_{rr}		2.5	4	ns	$I_F=10\text{mA}, V_R=6V, t_{rr}=0.1 \cdot I_R, R_L=100\Omega$

RATINGS AND CHARACTERISTIC CURVES

